

Job Name/Location:

Tag #:

Date:

For:	File	Resubmit
	Approval	Other_____

PO No.:

Architect: _____ GC: _____

Engr: _____ Mech: _____

Rep: _____
(Company) (Project Manager)



LV181HV4
Single Zone Vertical Air Handler Unit
Outdoor Unit (ODU) - LUU189HV Indoor Unit (IDU) - LVN181HV4

Performance:

Cooling:

Cooling (Min~Rated~Max, Btu/h)	7,200 ~ 18,000 ~ 24,000
SEER2 / EER2	17.25/12.3

SEER - Seasonal Energy Efficiency Ratio EER - Energy Efficiency Ratio

Heating:

Heating (Min~Rated~Max, Btu/h)	8,000 ~ 20,000 ~ 24,000
HSPF2	9.2
Max heating @ Indoor 70° DB (Btu/h)	
Outdoor 17°F WB	21,000
Outdoor 5°F WB*	16,200
Outdoor -4°F WB	19,910

HSPF - Heating Seasonal Performance Factor
* The Capacities at 5°F does not refer to H42 testing conditions.
Cooling Nominal Test Conditions: Heating Nominal Test Conditions:
Indoor: 80°F DB / 67°F WB Indoor: 70°F DB / 60°F WB
Outdoor: 95°F DB / 75°F WB Outdoor: 47°F DB / 43°F WB

Electrical:

Power Supply ¹ (V/Hz/Ø)	208-230 / 60 / 1
------------------------------------	------------------

Outdoor Unit:

MOP (A)	30
MCA (A)	20
Cooling Rated Amps (A)	16.2
Compressor(A)	13.5
Fan Motor (IDU + ODU) (A)	1.1 + 1.6
Cooling Power Input (kW)	0.45 ~ 1.35 ~ 3.25
Heating Power Input (kW)	0.50 ~ 1.73 ~ 2.37

MOP - Maximum Overcurrent Protection MCA - Minimum Circuit Ampacity

Piping:

Liquid Line (in., O.D.)	3/8
Vapor Line (in., O.D.)	5/8
Additional Refrigerant (oz./ft.)	0.43
Max. Pipe Length ² (ft.)	6.6/164
Piping Length (no add'l refig., ft.)	24.6
Max. Elevation (ft.)	98.4

Features:

- Hot start
- Inverter (variable speed fan)
- Auto restart
- Control lock
- W2 terminal connection
- Group control
- Timer (on/off)
- Sleep Mode
- Optional Wi-Fi Control
- Built in dry contact
- ECM (Electronically Commutated Motor) fan provides constant airflow regardless of permitted ESP (External Static Pressure)

Optional Accessories:

- MultiSITE™ CRC2 - PREMTBVC2
- Programmable Remote Controller - PREMTB100
- Delux Remote Controller - PREMTB200
- Dry Contact 3rd Party Thermostat - PDRYCB320
- Electric Heater⁹
- Remote Temperature Sensor - ZRTBS01
- Downflow Conversion Kit - PNDFJ0
- Aux Heater relay kit - PRARH1
- AC Smart 5 - PACS5A000
- Low Ambient Kit -40°F cooling PQCA0, PAG-HS6/PAG-HS7 Wind Guards
- Without PQCA0 Cooling to 0°F
- Wi-Fi Module - PWFMD200

Operating Range:

Outdoor Unit:

Cooling (°F DB)	5 to 118
Heating (°F WB)	-4 to 64

Indoor Unit:

Cooling (°F WB)	57 to 77
Heating (°F DB)	59 to 81

System Data:

Refrigerant Type/Control	R410A/EEV
Refrigerant Charge (lbs.)	3.75
ODU Sound Pressure Max (Cool / Heat) ±1 dB(A) ³	48/52
IDU Sound Pressure (H/M/L) ±1 dB(A) ³	35 / 33 / 30
ODU Net Weight (lbs.)	129
ODU Shipping Weight (lbs.)	141
IDU Net Weight (lbs.)	123.5
IDU Shipping Weight (lbs.)	135.1

Fan:

ODU /IDU Fan Type	Propeller/Sirocco
Fan Speeds (Fan/Cool/Heat)	3/3/3
Fan Quantity (ODU + IDU)	1 + 1
Motor/Drive	Electronically Commutated Motor / Direct
Maximum ODU Air Volume (CFM)	2,048
IDU Air Volume Default (H/M/L) (CFM)	640 / 580 / 480
ESP Operating Range (in-wg)	0.1 - 0.7
Minimum IDU Air Flow Volume (CFM)	432
Maximum IDU Air Flow Volume (CFM)	704
Dehumidification Rate (pts/hr)	3.1

Notes:

1. Acceptable operating voltage: 187V-253V.
2. Piping lengths are equivalent.
3. Sound Pressure levels are tested in an anechoic chamber under ISO Standard 3745.
4. All power/communication cable to be minimum 14 American wire gage (AWG), 4-conductor, stranded, shielded or unshielded wire and must comply with applicable local and national code. If shielded, the wire must be grounded to the chassis at the outdoor unit only.
5. Power wiring cable size must comply with the applicable local and national code.
6. The indoor unit comes with a dry helium charge.
7. This data is rated 0 ft. above sea level, with 25 ft. of refrigerant line and a 0 ft. level difference between outdoor and indoor units.
8. Must follow installation instructions in the applicable LG installation manual.
9. Electric heater accessory available in 3kW, 5kW, 8kW, and 10kW capacities.
- Refer to the engineering manual for details.
10. Controller not included.



LUU189HV

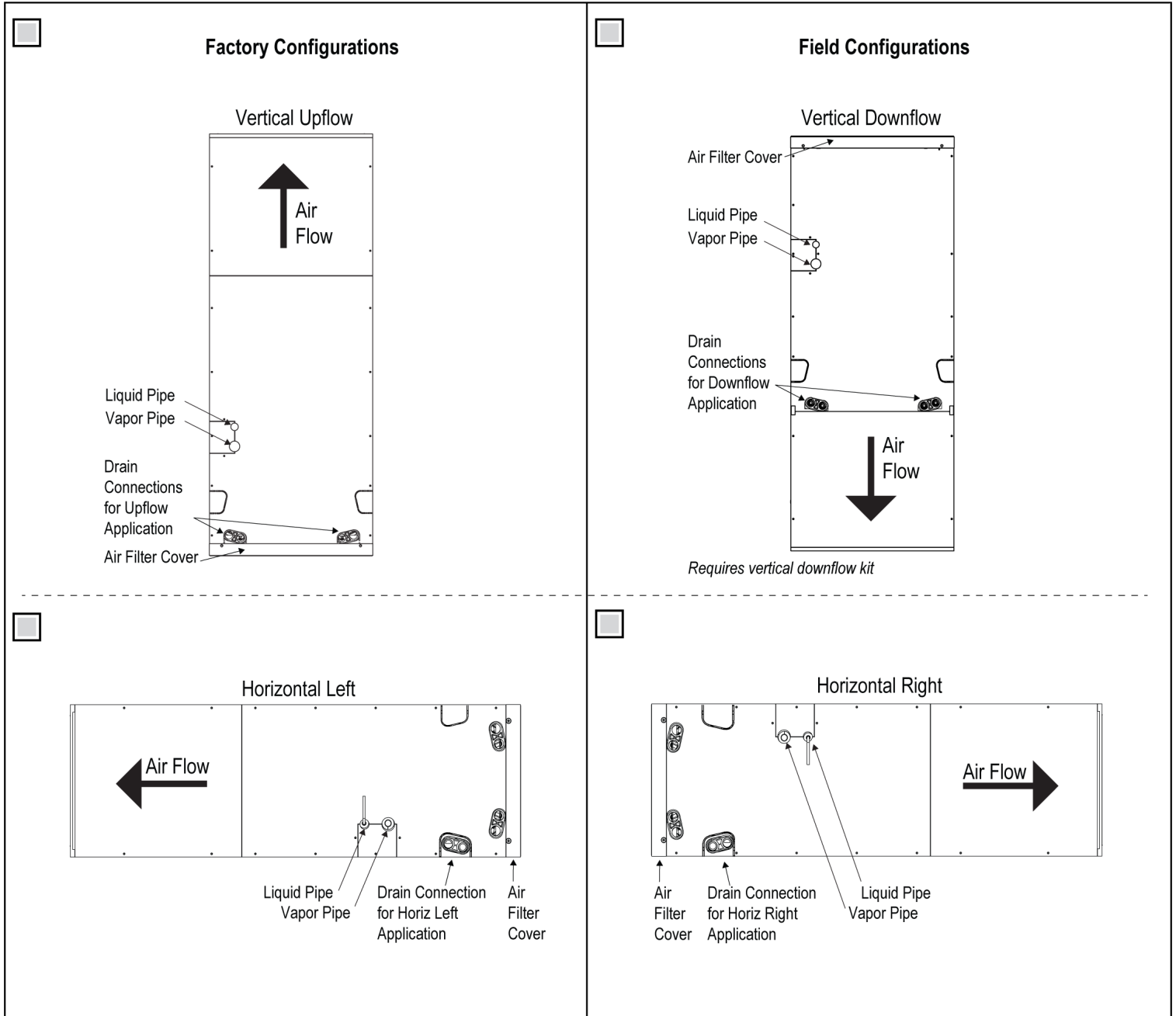
Single Zone Vertical Air Handler Unit



Tag No.: _____

Date: _____

PO No.: _____



LUU189HV
Single Zone Vertical Air Handler Unit



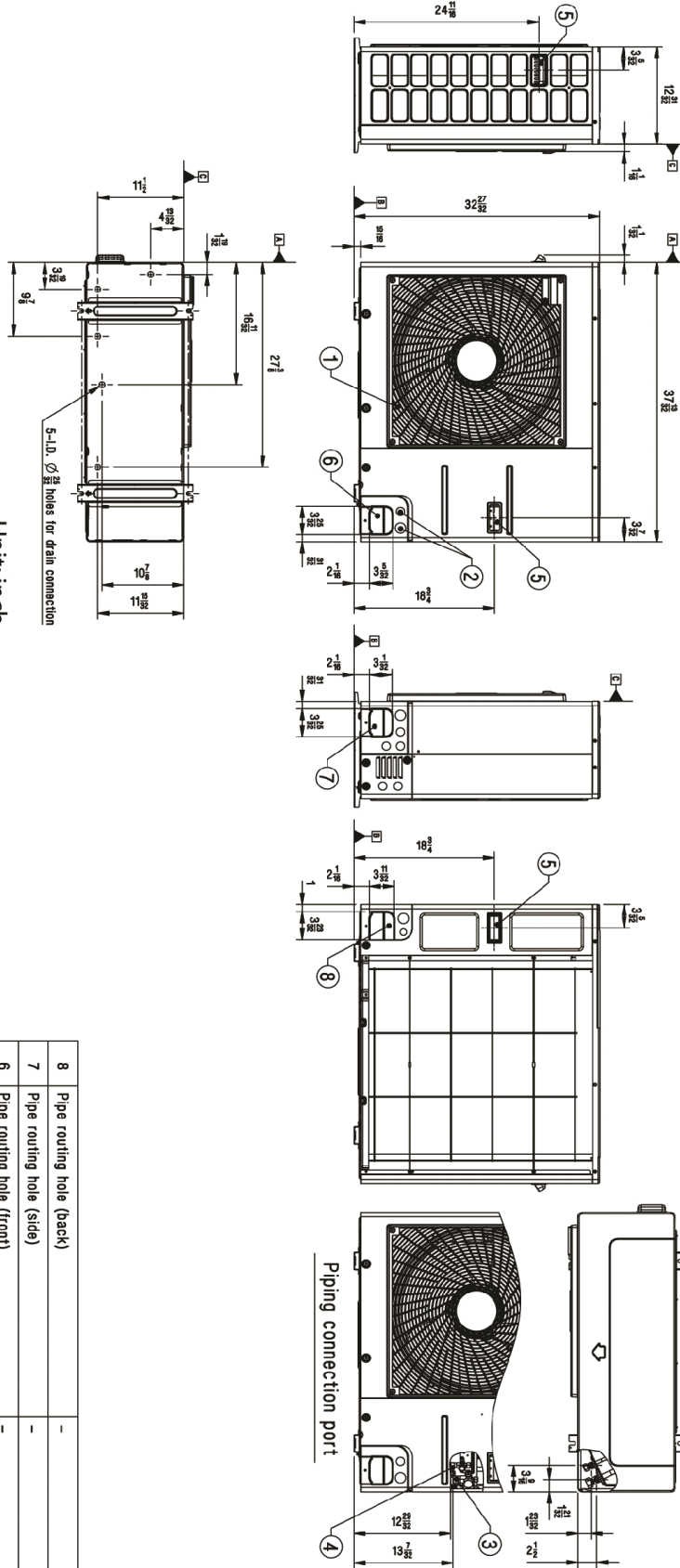
Tag No.: _____

Date: _____

PO No.: _____



Unit: inch



No.	Part Name	Description
8	Pipe routing hole (back)	-
7	Pipe routing hole (side)	-
6	Pipe routing hole (front)	-
5	Handle	-
4	Liquid Pipe Connection	Flare joint
3	Gas Pipe Connection	Flare joint
2	Power and communication cable Hole	-
1	Air Outlet	-

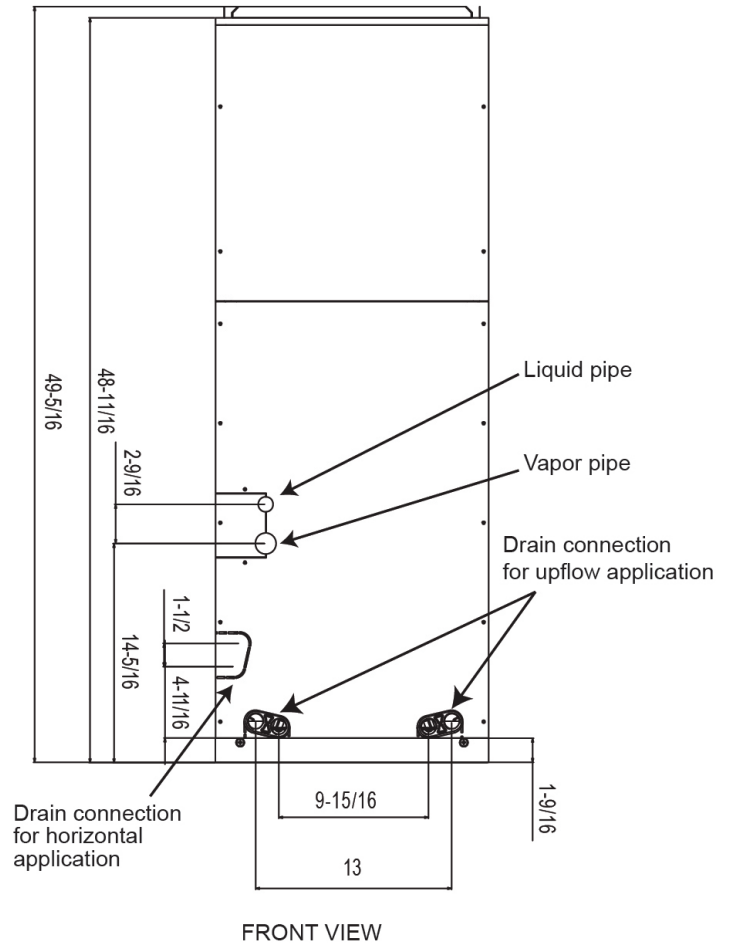
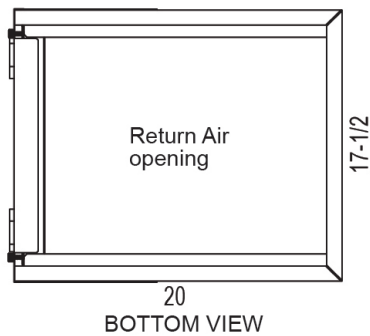
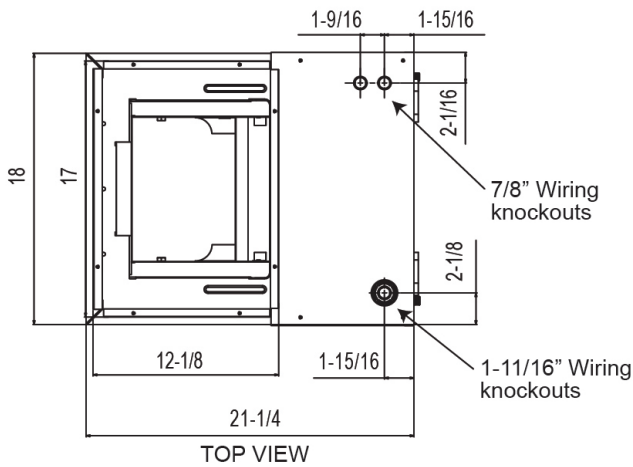
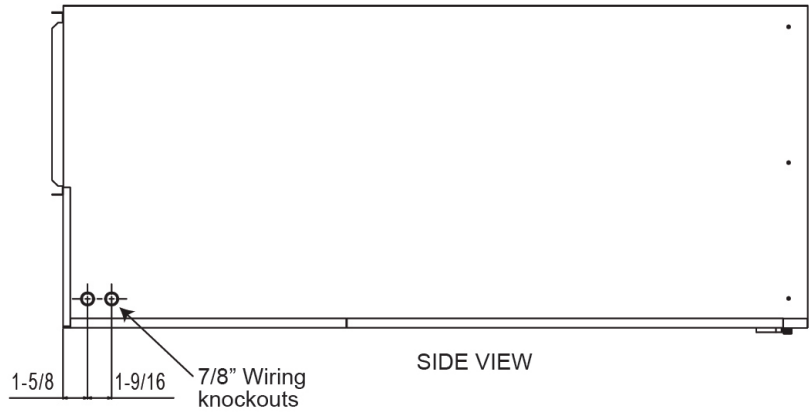
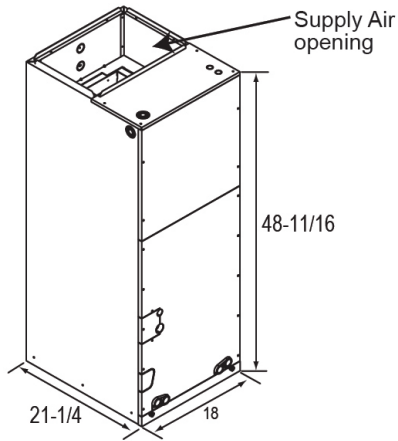
LVN181HV4
Single Zone Vertical Air Handler Unit



Tag No.: _____

Date: _____

PO No.: _____



Unit: inches
Note: All measurements have a tolerance of $\pm 1/4$ in.